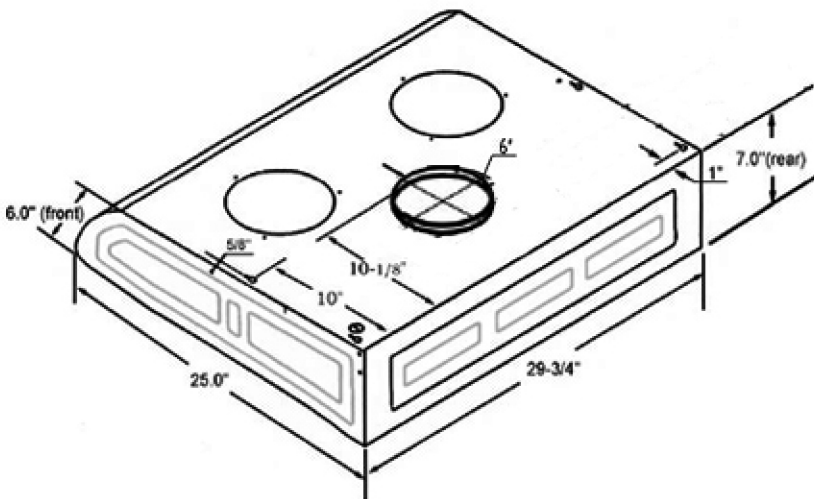


SAKURA KITCHEN RANGE HOOD

MODEL NO: U3-(H)



Note: 1. Unit used in this drawing is inch.

2. All dimensions shown on this drawing is for reference only, Sakura reserve the right to make modification and / or improvement without prior notice.